

产品型号: SS10DAL (2D SCAN)



SS10DAL系列是10mm入射光斑二维扫描振镜,根据外形分为标准型和**MINI**型:

标准型主要是用在普通打标领域,比如:光纤激光打标,CO₂激光打标,紫外激光打标等,属于本公司经济性产品,应用非常广泛。

The standard model mainly applies to common marking area like: fiber laser marking, CO₂ laser marking, UV laser marking, etc. and it's the company's economy product and used largely.

MINI型主要在标准的产品上将体积缩小,主要应用于桌面式打标,便携式打标,自动化配套等

MINI model is the shorten size based on the standard model, which mainly applies to desktop marking, portable marking, automated matching, etc.

应用领域

- 激光打标
- 桌面式打标
- 便携式打标
- 自动化配套

Typical Applications

- Laser marking
- Desktop Marking
- Portable Marking
- Automated Matching

SUPERSCAN

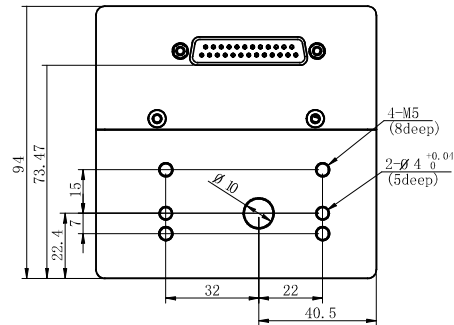
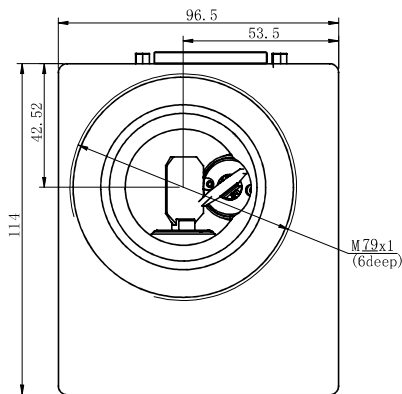
技术参数 (Specifications)

SS10DAL (MINI)

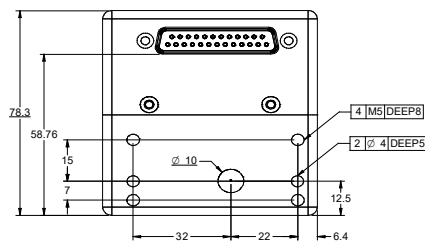
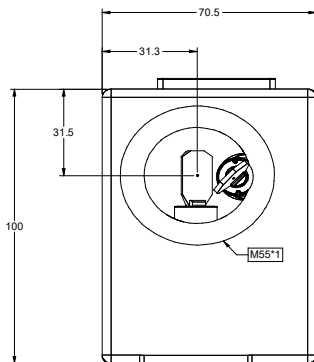
入射光斑 (Aperture)	10mm
跟随误差时间 (Tracking error)	170us
打标速度 (Marking speed)	1.5 m/s
定位速度 (Positioning speed)	7.0 m/s
重复定位精度 (Repeatability)	<22urad
运行8小时以上漂移 (8hours drift)	<0.6 mrad
非线性 (Nonlinearity)	<5mrad
光学扫描角度 (Scan angle)	±0.35rad
供电需求 (Power requirements)	±15V DC 2A
接口 (Interface)	数字 (Digital) XY2-100 模拟 (Analog) ±5V
工作温度 (Operating temperature)	25°C ± 10°C

(All angles are in optical degrees) *F-theta f=160mm*

机械尺寸 (单位mm) (Dimensions)

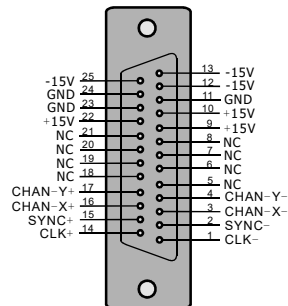


标准型

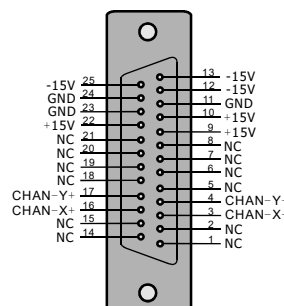


MINI

接口定义 (Interface)



25-pin female D-SUB connector (DIGITAL)



25-pin female D-SUB connector (ANALOG)

SUPERSCAN