

产品型号: SS-10-II (2D SCAN)



R



DA/G/DAM

**SS-10-II**系列是10mm入射光斑二维扫描振镜，根据产品应用分为以下几个型号：

- SS-10-DA型号是10mm入射光斑标准产品，具有精度高，速度快，稳定性高等优势。主要应用于激光打标，飞行打标，3D打印等领域。  
The model SS-10-DA is the 10mm standard product, which has advantages of high precision, high speed and high stability and mainly applies to laser marking, flying marking and 3D printing.
- SS-10-DA-G型号是10mm入射光斑高速产品，具有更快的响应时间  
The model SS-10-DA-G is the 10mm high speed product, which has much faster tracking error.
- SS-10-DAM型号是10mm入射光斑高精度产品，具有更快的响应时间和更高的重复定位精度。主要应用于精密激光切割。  
The model SS-10-DAM is the 10mm high speed and high precision product, which has much faster tracking error and higher repeatability. It mainly applies to precision laser cutting.
- SS-10-DA-R型号是10mm入射光斑带红光定位产品。双红光定位，振镜内部供电，无需外接电源，并带有控制开关。  
The model SS-10-DA-R is the 10mm position product with red lights. Two red lights position and get power supply from scan head inside and don't get extral power supply and has a control switch.

## 应用领域

- 激光雕刻
- 微加工
- 飞行标记行业
- 3D打印

## Typical Applications

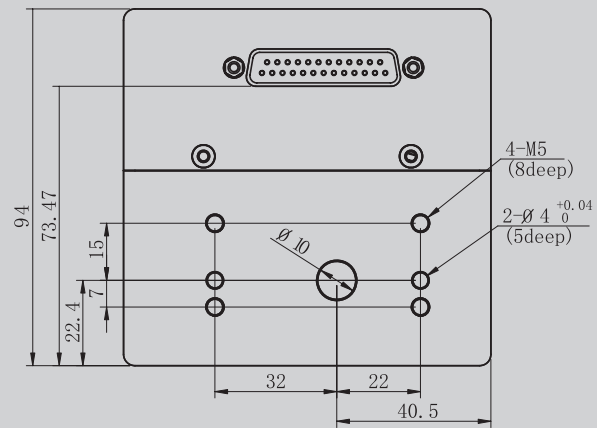
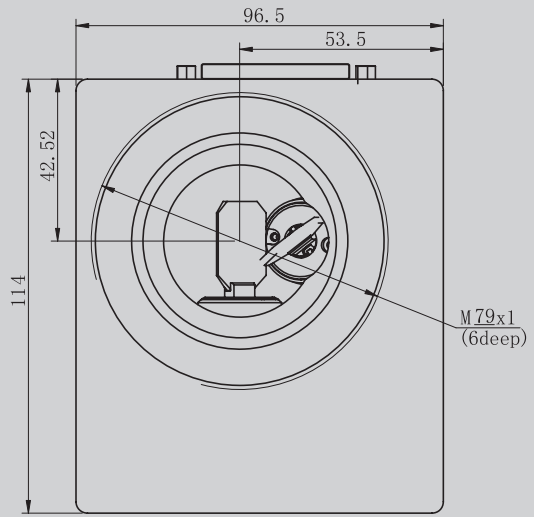
- Laser marking
- Micromaching
- Processing on-the-fly
- 3D Printing

## 技术参数 (Specifications)

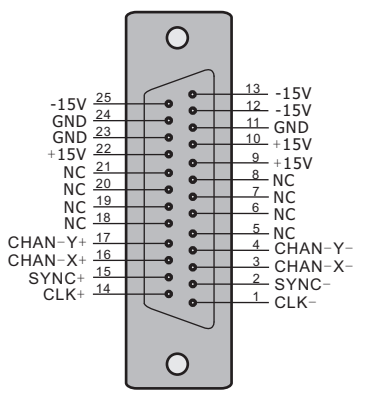
	SS-10-DA(-R)	SS-10-DA-G	SS-10-DAM
入射光斑 (Aperture)	10mm	10mm	10mm
跟随误差时间 (Tracking error)	150 μs	125 μs	125 μs
打标速度 (Marking speed)	2 m/s	4 m/s	4 m/s
定位速度 (Positioning speed)	10.0 m/s	12.0 m/s	12.0 m/s
重复定位精度 (Repeatability)	<22 μrad	<22 μrad	<10 μrad
运行8小时以上漂移 (8hours drift)	<0.4 mrad	<0.4 mrad	<0.2 mrad
非线性 (Nonlinearity)	<5mrad	<5mrad	<5mrad
波段 (wavelength options)	355nm/445nm/532nm/915nm/1064nm/10600nm		
光学扫描角度 (Scan angle)		±0.35 rad	
供电需求 (Power requirements)		±15V DC 3A	
接口 (Interface)		数字 (Digital) XY2-100 * 模拟 (Analog) ±5V	
工作温度 (Operating temperature)		25°C ±10°C	

(All angles are in optical degrees) F-theta f=160mm  
\* SS-10-DA-D only used XY2-100

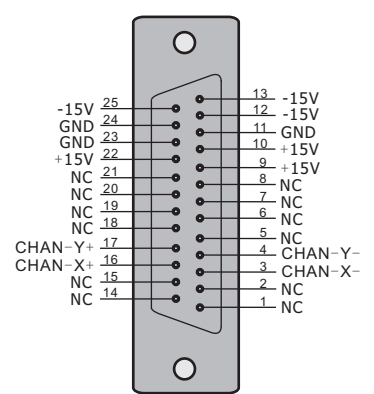
## 机械尺寸 (单位mm) (Dimensions)



## 接口定义 (Interface)



25-pin female D-SUB connector (DIGITAL)



25-pin female D-SUB connector (ANALOG)