

产品型号: SS-12 (2D SCAN)



应用领域

- YAG激光雕刻
- 微加工
- Co2激光雕刻

Typical Applications

- YAG Laser marking
- Micromaching
- Co2 Laser marking

技术参数 (Specifications)

SS-12

入射光斑 (Aperture)	12mm
跟随误差时间 (Tracking error)	180us
打标速度 (Marking speed)	1.5 m/s
定位速度 (Positioning speed)	7 m/s
重复定位精度 (Repeatability)	<20urad
运行8小时以上漂移 (8hours drift)	<0.4 mrad
非线性 (Nonlinearity)	<5mrad
光学扫描角度 (Scan angle)	±0.35 rad
供电需求 (Power requirements)	±15V DC 3A
接口 (Interface)	数字 (Digital) XY2-100 模拟 (Analog) ±5V
工作温度 (Operating temperature)	25°C ± 10°C

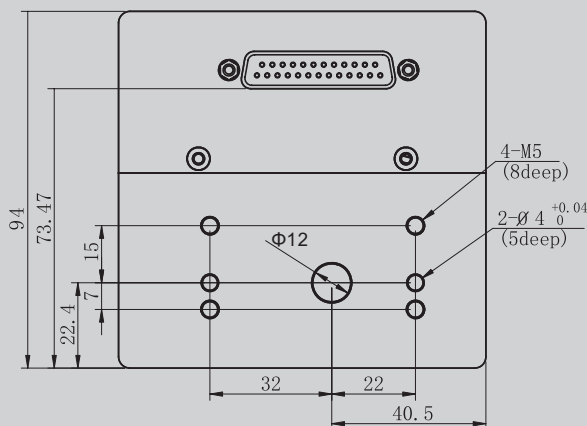
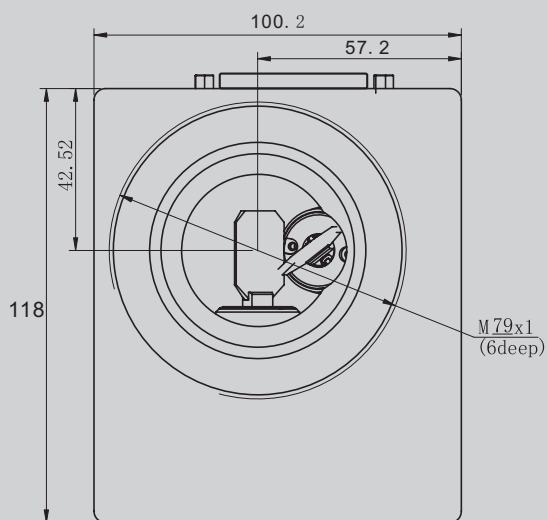
(All angles are in optical degrees) *F-theta f=160mm*

规格型号

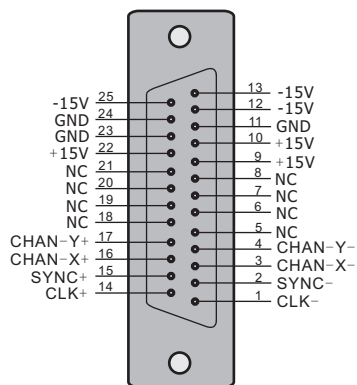
描述

10600nm		
SS-12-10600-DA	反射波长10600nm	数字digital
SS-12-10600-A	反射波长10600nm	模拟analog
1064nm		
SS-12-1064-DA	反射波长1064nm	数字digital
SS-12-1064-A	反射波长1064nm	模拟analog

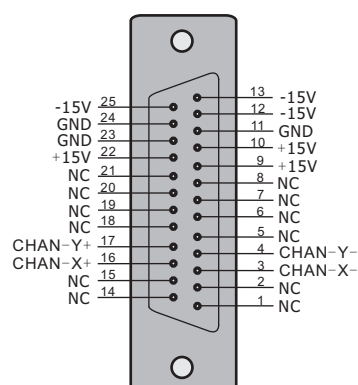
机械尺寸 (单位mm) (Dimensions)



接口定义 (Interface)



25-pin female D-SUB connector (DIGITAL)



25-pin female D-SUB connector (ANALOG)